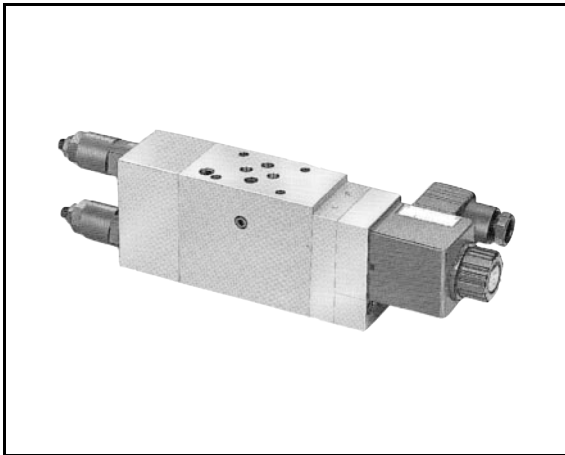


## TWO-STAGE PRESSURE REDUCING VALVE (HGD2H)

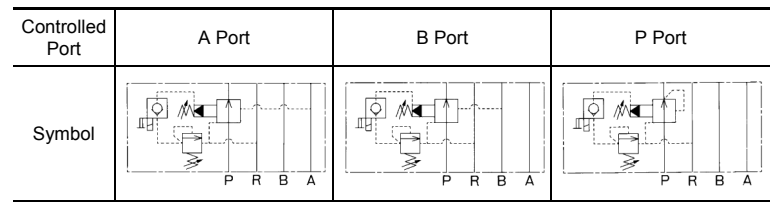


Conventionally, pressure reducing control for two pressure levels required two reducing valves (or one reducing valve and one pilot-operated pressure relief valve) and one solenoid valve. This type of valve allows pressure reducing control for two pressure levels by simply installing one valve under a directional control valve.

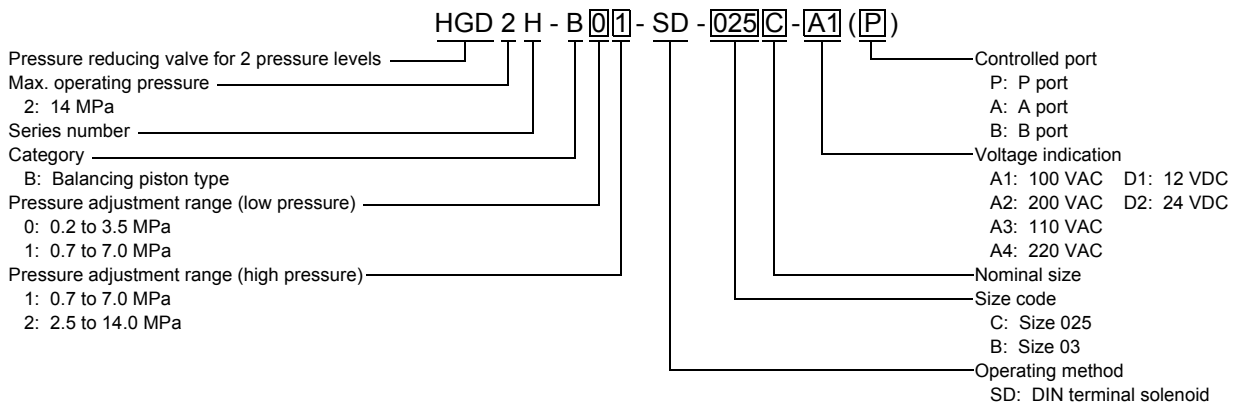
### FEATURES

1. The valve is compact and can be installed in the space conventionally needed for mounting a single solenoid valve.
2. The balancing piston type pressure reducing valve provides excellent pressure - flow characteristics.
3. The valve has two separate pressure adjusting parts allowing independent pressure adjustment of two pressure levels.

### SYMBOL



### MODEL DESIGNATION



### SPECIFICATIONS

Model		HGD2H-B**S(D)-025C-**(*)	HGD2H-B**S(D)-03B-**(*)
Max. Operating Pressure (MPa)		14	
Pressure Adjustment Range (MPa)	High pressure	0.7 to 7, 2.5 to 14	
	Low pressure	0.2 to 3.5, 0.7 to 7	
Rated Flow (L/min)		20	40
Max. Flow (L/min)		40	80

### SOLENOID CHARACTERISTICS

#### ● AC Size 025 / 03

Model	W-22B-21 (DIN terminal type)			
	100 VAC 50/60 Hz	110 VAC 60 Hz	200 VAC 50/60 Hz	220 VAC 60 Hz
Rated voltage				
Starting current (A)	2.35/2.1	2.3	1.18/1.05	1.14
Holding current (A)	0.47/0.37	0.42	0.24/0.19	0.22
Power (W)	21.9/18.9	23.6	21.9/18.9	23.6

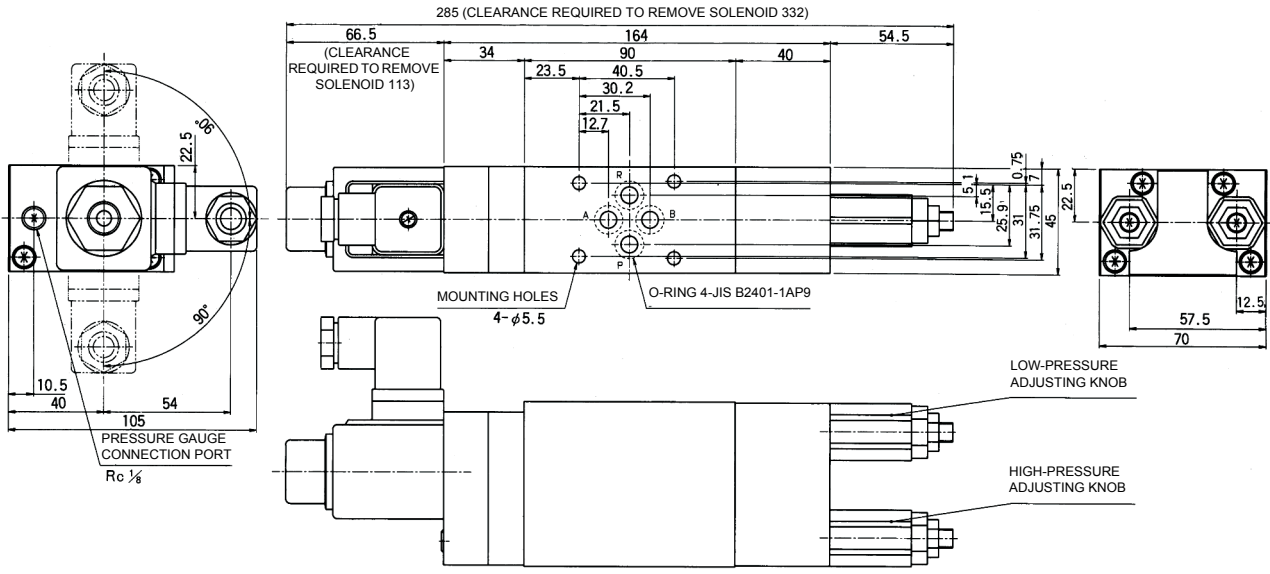
#### ● DC Size 025 / 03

Model	W-22B (DIN terminal type)	
	12 VDC	24 VDC
Rated voltage		
Holding current (A)	1.94	0.97
Power (W)	23.4	

# EXTERNAL DIMENSIONS

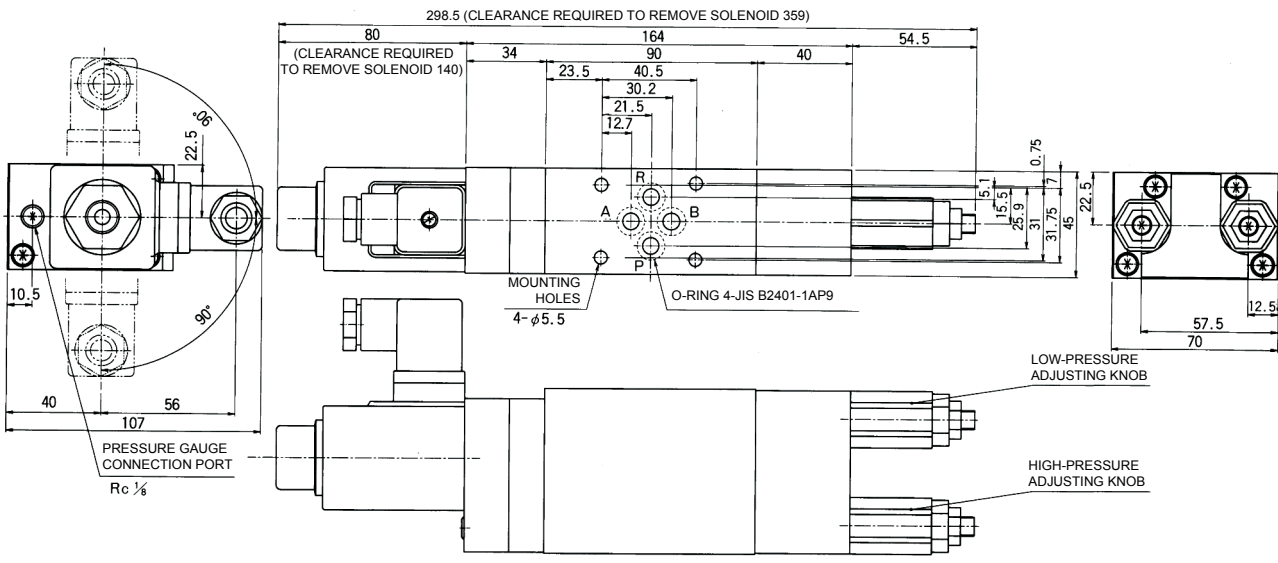
## AC

- HGD2H-B\*\*-SD-025C-A\*(\*)



## DC

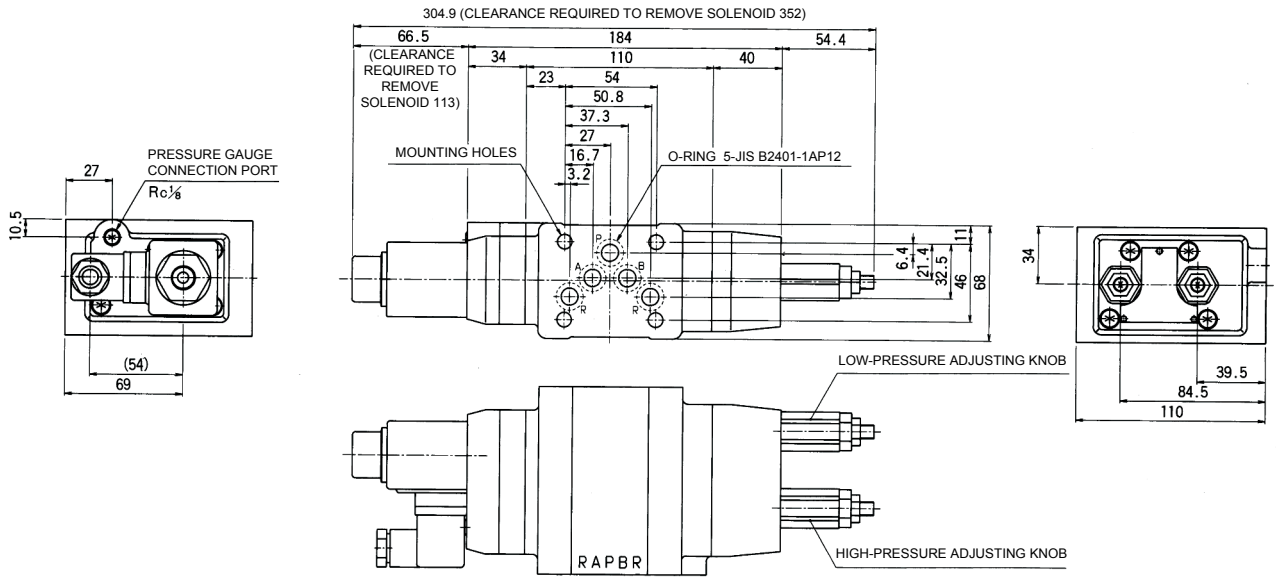
- HGD2H-B\*\*-SD-025C-D\*(\*)



**EXTERNAL DIMENSIONS**

**AC**

- HGD2H-B\*\*-SD-03B-A\*(\*)



**DC**

- HGD2H-B\*\*-SD-03B-D\*(\*)

